

S16 RELAY

SHORI

◆ Features

- Contact rating 80A
- High temperature version.
- Compatible fasten terminal arrangement with this kind of power relay.
- Standardized design for plug-in quick connect terminals.



◆ Coil Data [at 23]

Rated voltage (V)	Coil Resistance $\pm 10\%$ (Ω)	Rated Current $\pm 10\%$ (mA)	Pick up Voltage (Max)	Drop out Voltage (Min)	Max continuous Voltage	Power consumption At rated Voltage
6	20	300	70% of rated voltage	5% of rated voltage	120% Max of Rated voltage	Approx.1.9W
12	75	160				
24	300	80				

◆ Contact Rating

Resistive load	80A 14VDC , 25A 28VDC
----------------	-----------------------

◆ Type List

Terminal style	Contact form	Enclosure style	
		Dust cover	Flanged cover (Dust cover)
Socket terminal	1A (SPNO)	S16-12-1A	S16-12-1A-C1
PCB terminal	1A (SPNO)	S16-12-1AP	S16-12-1AP-C1

◆ Ordering information

S16 - 12 - 1A P - C1
 1 2 3 4 5

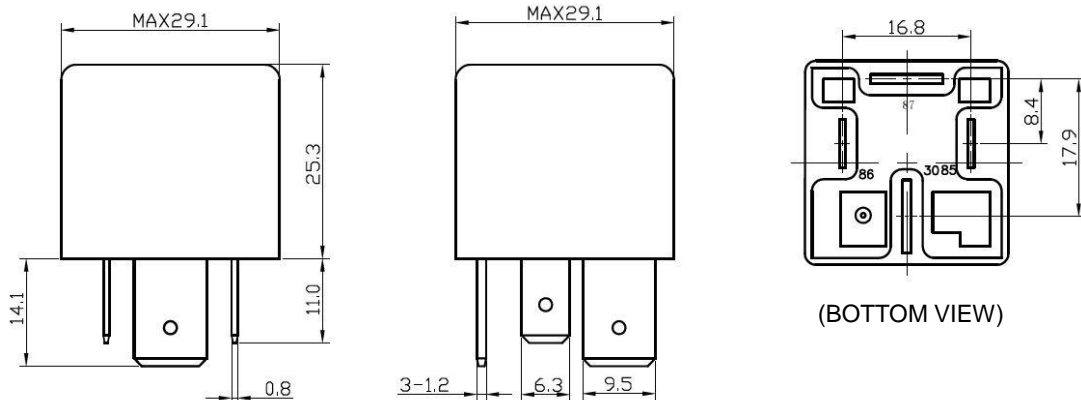
- | | |
|---|---|
| <p>1. S16 -- Basic series designation</p> <p>2. 12 -- Coil Voltage (6V~24V)</p> <p>3. 1A -- Single pole normally open</p> | <p>4. P -- PCB terminal
Blank -- Socket terminal</p> <p>5. Blank -- Dust cover
C1 -- Flanged cover (Dust cover)</p> |
|---|---|

◆ Specification

Contact material	Ag Alloy	
Contact voltage drop	Typ. 50mV at 10A	
Operate time	10 ms Max	
Release time	10 ms Max	
Insulation resistance	50 M Ω Min. (DC 500V)	
Dielectric strength	Between open contact : AC 500V ,50/60Hz 1 min.	
	Between contact and coil : AC 500V, 50/60Hz 1 min.	
Vibration resistance	Operating extremes	10~50Hz, amplitude 2 mm
	Damage limits	10~50Hz, amplitude 2 mm
Shock resistance	Operating extremes	5G
	Damage limits	100G
Life expectancy	Mechanical	10,000,000 operations (frequency 18,000 operations/hr)
	Electrical	100,000 operations (frequency 1,200 operations/hr)
Operating ambient temperature	-30~+85°C (no freezing)	
Weight	Approx.40g	

◆ Outline dimensions

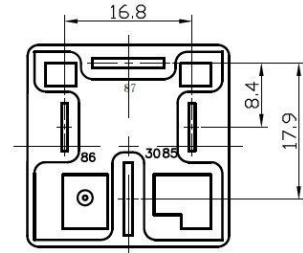
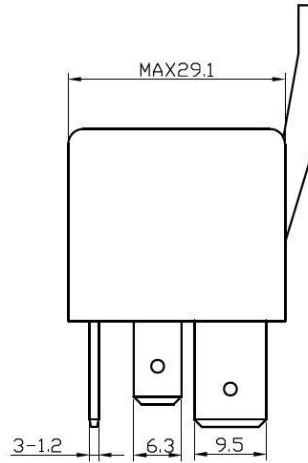
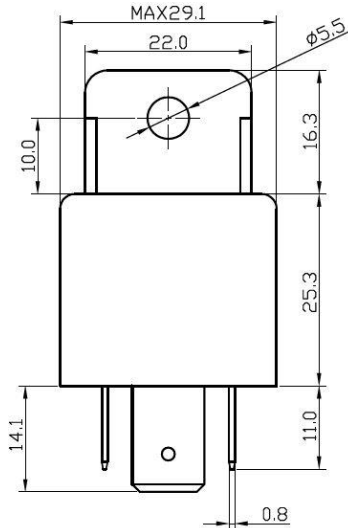
➤ S16 - □ - □ - □ - □



S16 RELAY

SHORI

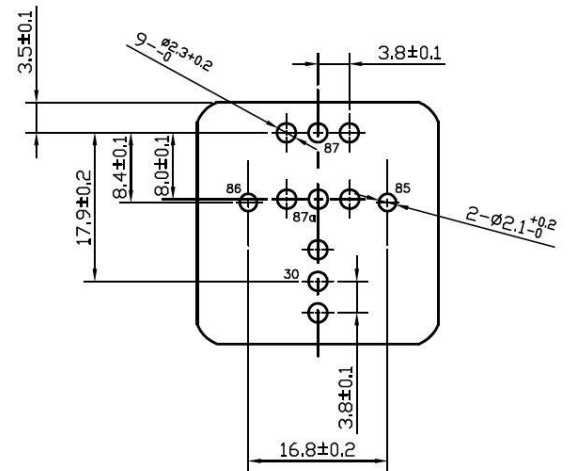
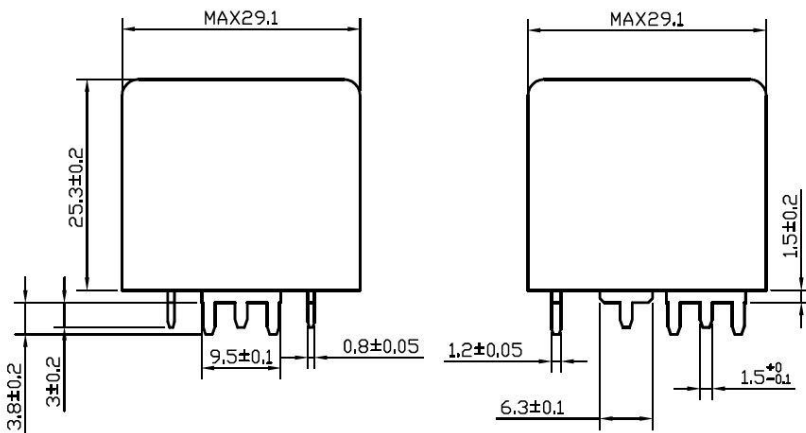
➤ S16 - □ - □ - C1 - □



(BOTTOM VIEW)

TOLERANCE:
 <1mm:±0.2mm
 1-5mm:±0.3mm
 >5mm :±0.4mm

➤ S16 - □ - □P - □ - □



PCB Layout (BOTTOM VIEW)

◆ Wiring Diagram (BOTTOM VIEW)

